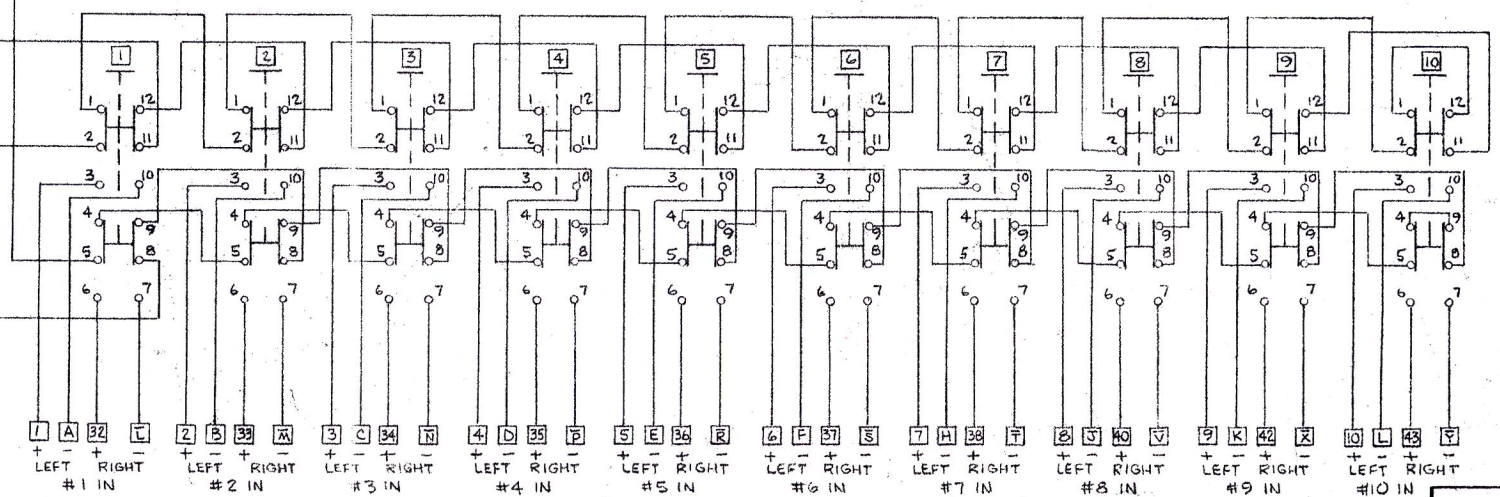
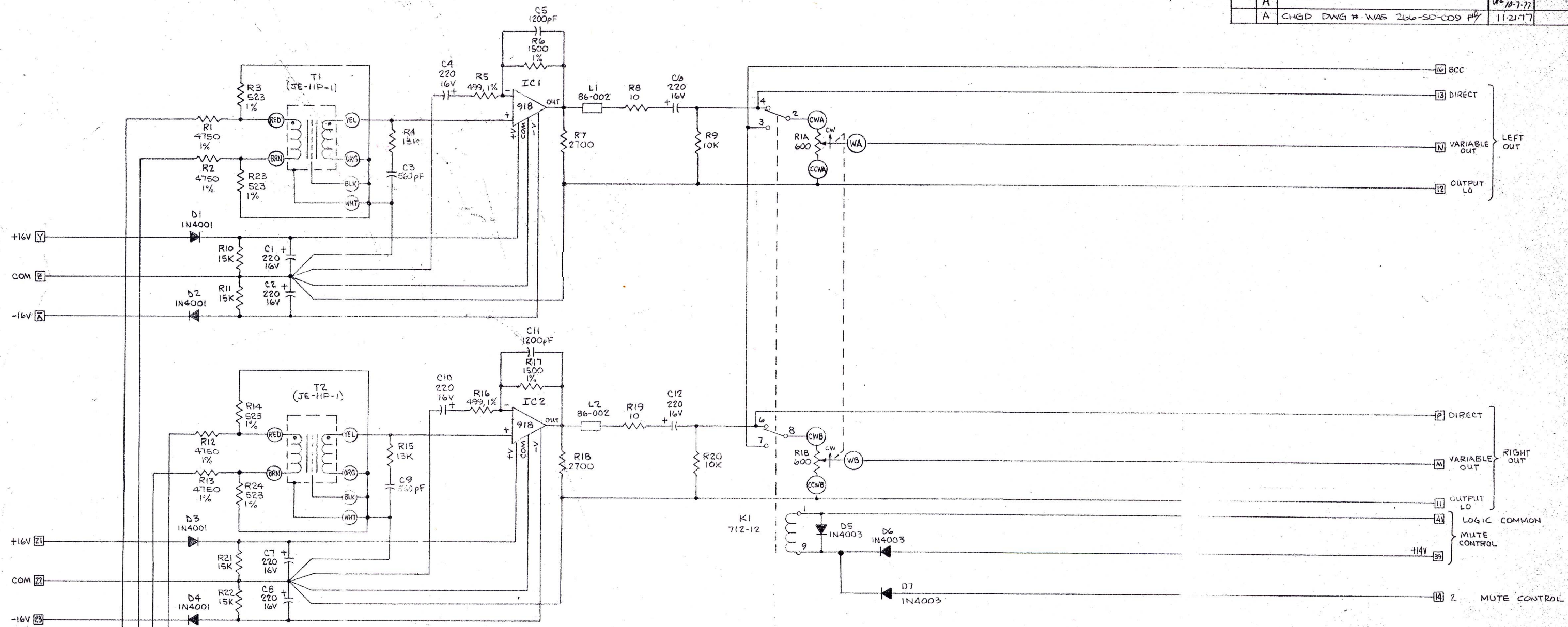


REVISIONS				
ZONE	LTR	DESCRIPTION	DATE	APPROVED
	A		10-7-77	
	A	CHGD DWG # WAS 266-SD-009 P1	11-21-77	



NOTES:
1. SWITCHES ARE 4 SERIES SCHADOW INTERLOCK (P/N 25-714)

QTY REQD	CODE IDENT	PART OR IDENTIFYING NO.	NOMENCLATURE OR DESCRIPTION
PARTS LIST			
UNLESS OTHERWISE SPECIFIED DIMENSIONS ARE IN INCHES TOLERANCES ARE:		CONTRACT NO.	
FRACTIONS	DECIMALS	ANGLES	
±	.XX ±	±	
	.XXX ±		
MATERIAL		APPROVALS	DATE
		DRAWN S. CAWZ	2-3-77
		CHECKED TOLADIS	6-21-77
FINISH		<div style="text-align: center;"> PACIFIC RECORDERS AND ENGINEERING CORP. </div>	
NEXT ASSY		SIZE	CODE IDENT NO.
USED ON		D	
APPLICATION		DRAWING NO.	REL
		125-SD-118	A
DO NOT SCALE DRAWING		SCALE NONE	SHEET 1 OF 1